

# Narrow-style locks



lock & cylinder technology

## Lock & cylinder technology



NEMEF guarantees an extensive and continually growing assortment of locks and builders' hardware, such as door locks, profile cylinders, multipoint locks and access control. These quality products that leave the NEMEF plant reach their customers quickly and efficiently due to a hypermodern distribution centre. NEMEF is working today on the standard for tomorrow through innovative product development focused on contemporary user convenience.

# Narrow-style locks

## Narrow-style locks of NEMEF

The NEMEF narrow-style locks series is especially developed for the commercial and residential lock market for application in aluminum, synthetic or steel doors. NEMEF narrow-style locks meet the highest demands in the field of material and design.

### A number of advantages of the narrow style locks series:

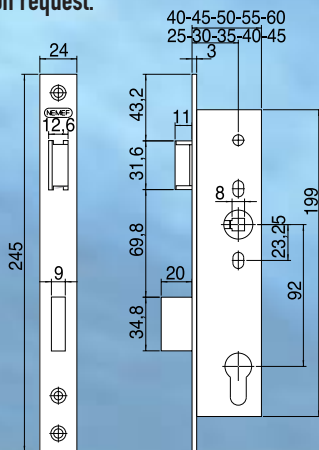
- All versions have the same case dimensions.  
This means that all doors have the same cut-out.
- The series has an easy reversible latch bolt.
- The locks are maintenance free through thermally stable lubrication.
- The interior parts are zinc-plated and wear-resistant and therefore guarantee a long life.
- The lock cases are made of high graded steel and treated against corrosion.
- The lock cases are equipped with patent holes for security furniture.
- Forend 24 mm x 245 mm.
- The versions with rollerbolt are suitable for shop doors and similar. The door can be opened without using the lever.
- The 9500 series is equipped with a steel zinc-plated forend and die-cast zinc-plated bolts.
- The 9600 series is equipped with a stainless steel front plate and die-cast bright nickel-plated bolts.
- The security version is the 9700 series which has bright nickel-plated bolts with two rotating steel security pins in the dead bolt and a clamping follower.



### Door lock (latch and dead bolt)



- Suitable for innerdoors and entrance doors.
- Reversible latch bolt.
- Backset 25, 30, 35, 40 and 45 mm.
- Distance 92 mm.
- Additional to order: strike plate P9500/12 (zinc-plated) onrevest or P9600/17 (stainless steel).
- U-forend on request.

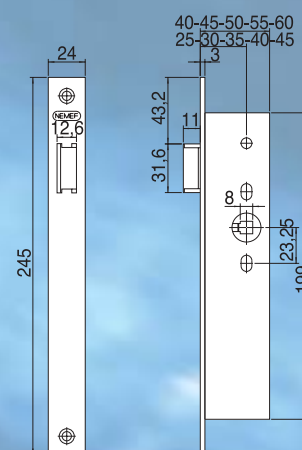


Article	9500	9600	9700
Forend steel zinc-plated	●		
Forend stainless steel		●	●
Latch bolt die-cast zinc-plated	●		
Latch bolt die-cast bright nickel-plated		●	●
Dead bolt die-cast zinc-plated	●		
Dead bolt die-cast bright nickel-plated		●	
Dead bolt die-cast bright nickel-plated with steel security pins			●
Clamping follower			●

### Latch



- Suitable for innerdoors and entrance doors.
- Reversible latch bolt.
- Backset 25, 30, 35, 40 and 45 mm.
- Additional to order: strike plate P635/12 (zinc-plated) or P635/17 (stainless steel).



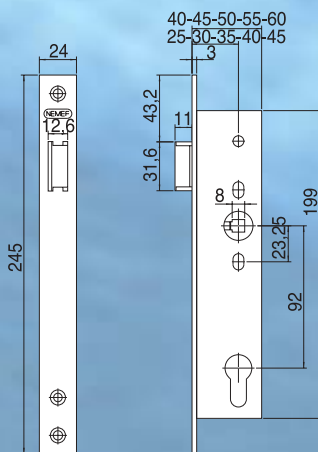
Article	9520	9620	9720
Forend steel zinc-plated	●		
Forend stainless steel		●	●
Latch bolt die-cast zinc-plated	●		
Latch bolt die-cast bright nickel-plated		●	●
Clamping follower			●

# Narrow-style locks

## Night latch



- Suitable for central access doors and emergency exits. In combination with knob-lever furniture and profile cylinder.
- Reversible latch bolt.
- Backset 25, 30, 40 and 45 mm.
- Distance 92 mm.
- Additional to order: strike plate P635/12 (zinc-plated) or P635/17 (stainless steel).

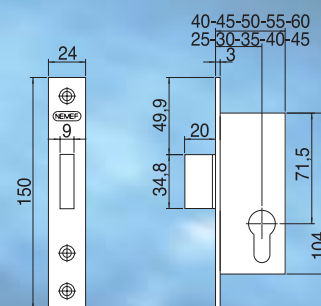


Article	9530	9630
Forend steel zinc-plated	●	
Forend stainless steel		●
Latch bolt die-cast zinc-plated	●	
Latch bolt die-cast bright nickel-plated		●

## Mortise dead lock (small case)



- Suitable for innerdoors and entrance doors.
- Non-handed.
- Backset 25, 30, 35, 40 and 45 mm.
- Additional to order: strike plate P636/12 (zinc-plated) or P636/17 (stainless steel).

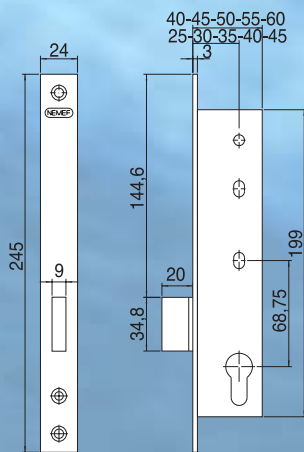


Article	9540	9640	9740
Forend steel zinc-plated	●		
Forend stainless steel		●	●
Dead bolt die-cast zinc-plated	●		
Dead bolt die-cast bright nickel-plated		●	
Dead bolt die-cast bright nickel-plated with steel security pins			●

### Mortise dead lock (large case)



- Suitable for innerdoors and entrance doors.
- Non-handed.
- Backset 25, 30, 35, 40 and 45 mm.
- Additional to order: strike plate P636/12 (zinc-plated) or P636/17 (stainless steel).

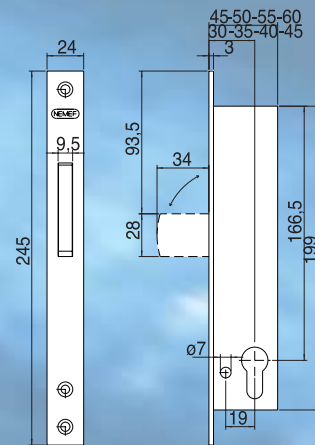


Article	9550	9650	9750
Forend steel zinc-plated	●		
Forend stainless steel		●	●
Dead bolt die-cast zinc-plated	●		
Dead bolt die-cast bright nickel-plated		●	
Dead bolt die-cast bright nickel-plated with steel security pins			●

### Mortise dead lock with pivot dead bolt



- Suitable for innerdoors and entrance doors.
- Non-handed.
- Backset 30, 35, 40 and 45 mm.
- Additional to order strike plate P1205/17 (stainless steel).



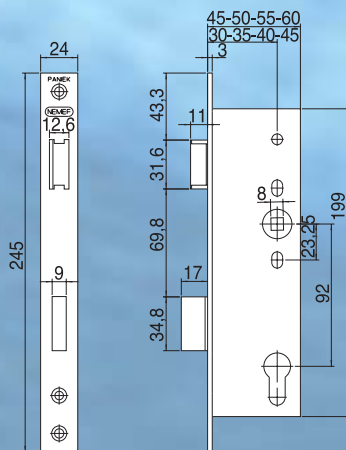
Article	9560	9660
Forend steel zinc-plated	●	
Forend stainless steel		●
Pivot dead bolt steel zinc-plated	●	

# Narrow-style locks

## Anti-panic lock



- Suitable for innerdoors and entrance doors.
- Reversible latchbolt.
- Backset 30, 35, 40 and 45 mm.
- Distance 92 mm.
- With one-piece or two-piece follower 8 or 9 mm.
- Additional to order: P9600/17 (stainless steel).
- MPA tested.



Article	9670
Forend stainless steel	•
Lach bolt die-cast bright nickel-plated	•
Dead bolt die-cast bright nickel-plated	•

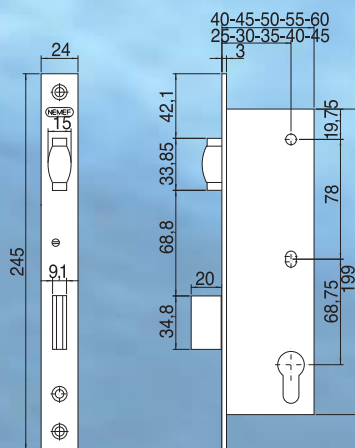
## MPA Approval



### Rollerbolt lock with deadbolt



- Suitable for innerdoors and entrance doors for the commercial market.
- Non-handed.
- Backset 25, 30, 35, 40 and 45 mm.

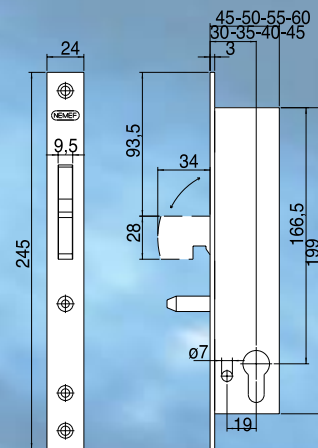


	Article	9580	9680
Forend steel zinc-plated		●	
Forend stainless steel			●
Rollerbolt brass nickel-plated		●	●
Dead bolt die-cast zinc-plated		●	
Dead bolt die-cast bright nickel-plated			●

### Hook bolt lock with security pin



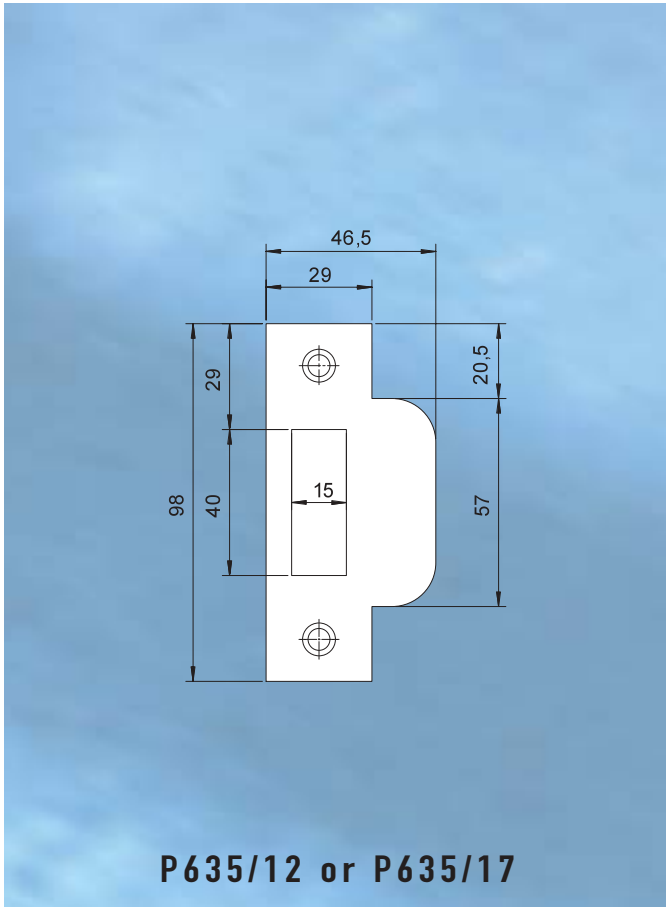
- Suitable for innerdoors and entrance doors.
- Extra security pin which makes it impossible to lift the door.
- Non-handed.
- Backset 30, 35, 40 and 45 mm.
- Additional to order strike plate P1205H/17 (stainless steel).
- The 9700 series is without security pin.



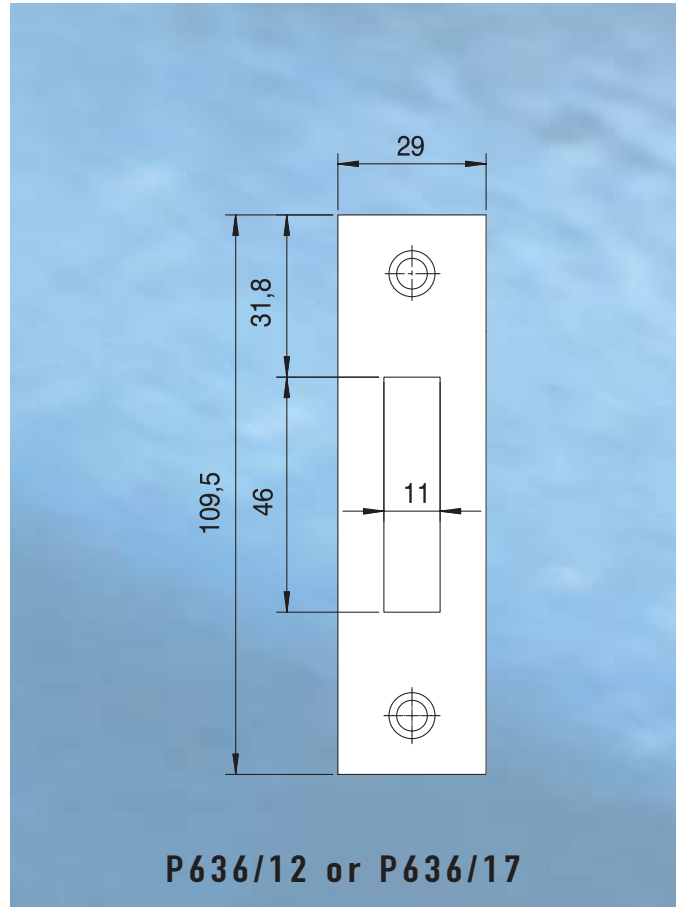
	Article	9590	9690	9790
Forend steel zinc-plated		●		
Forend stainless steel			●	●
Hook bolt steel zinc-plated with security pin		●	●	
Hook bolt steel zinc-plated without security pin and hacksaw resistant				●

# Narrow-style locks

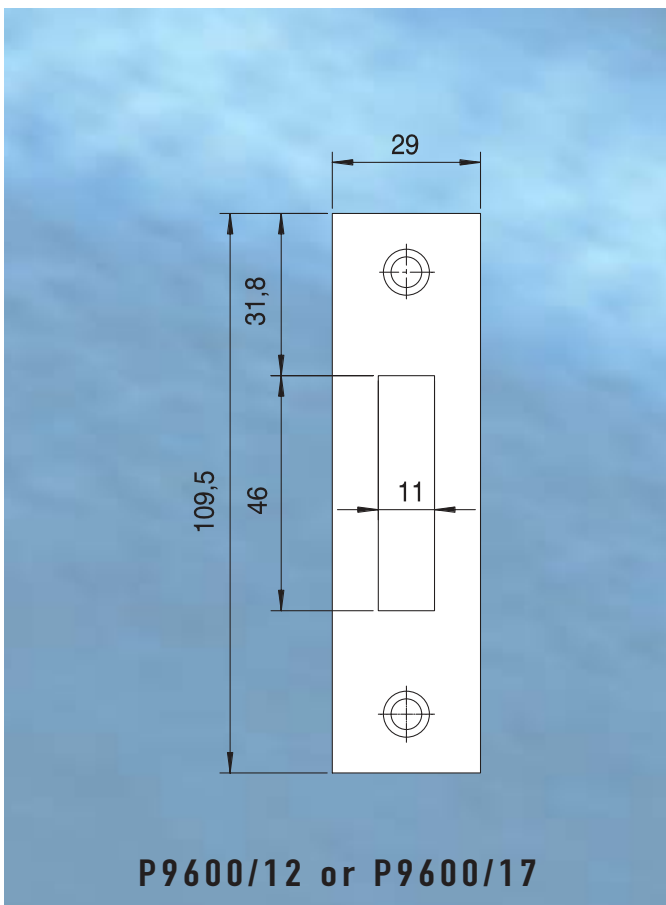
## Strike plates



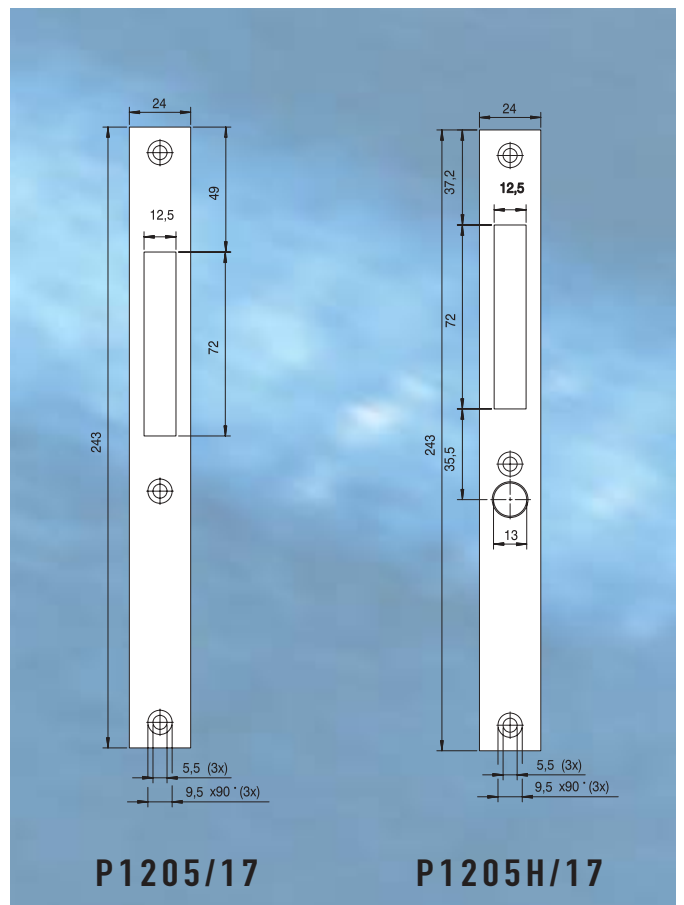
**P635/12 or P635/17**



**P636/12 or P636/17**



**P9600/12 or P9600/17**



**P1205/17**

**P1205H/17**



l o c k   &   c y l i n d e r   t e c h n o l o g y

**NEMEF BV P.O. Box 13, 7300 AA Apeldoorn, The Netherlands**

**Telephone +31 55 312 84 00   Telefax +31 55 312 20 87   E-mail [info@nemef.nl](mailto:info@nemef.nl)   Internet [www.nemef.nl](http://www.nemef.nl)**

An ASSA ABLOY Group company

**ASSA ABLOY**

The ASSA ABLOY Group is the world's leading manufacturer and supplier of locking solutions,  
dedicated to satisfying end-user needs for security, safety and convenience.